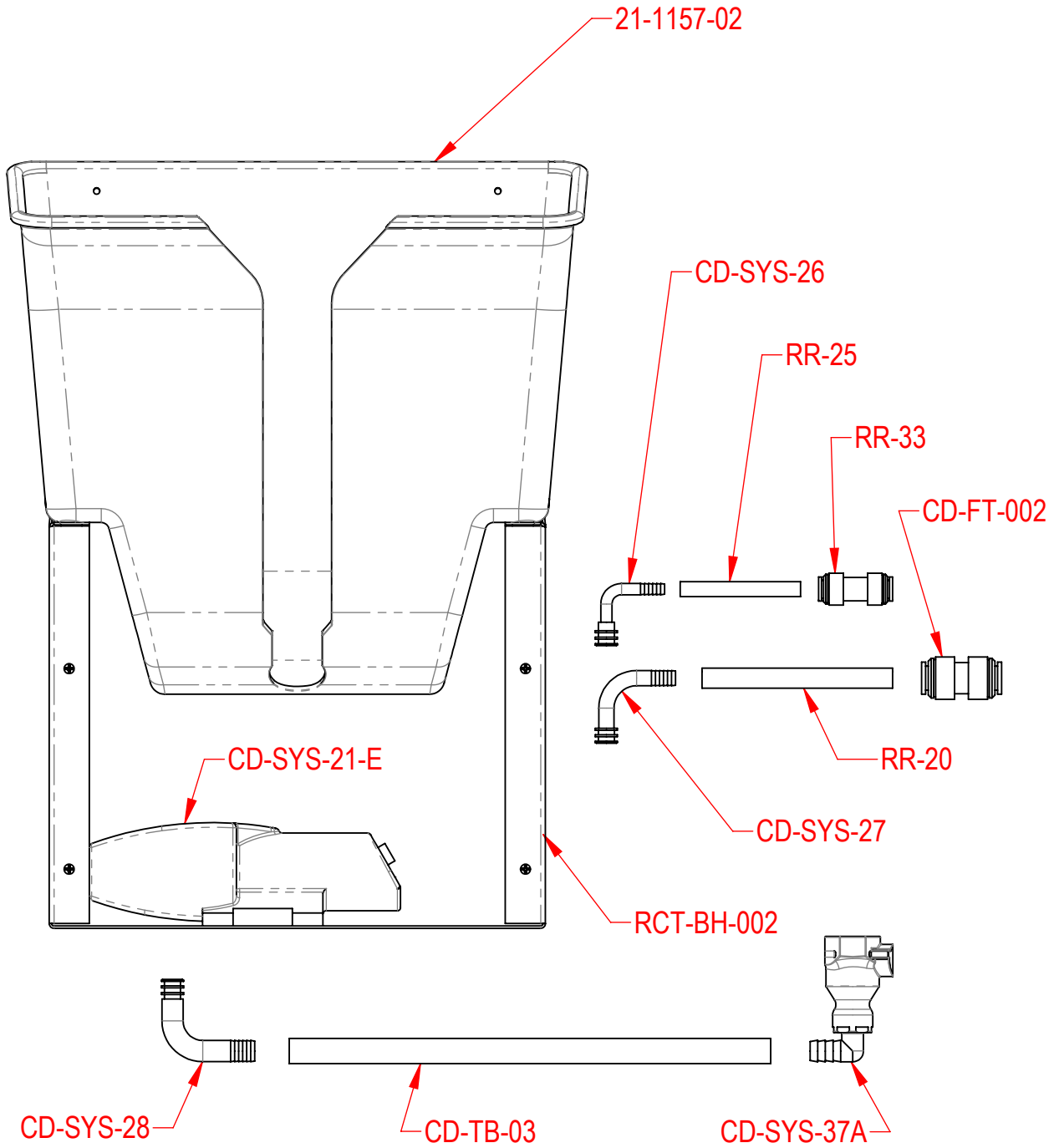


Wunder-Bar Condiment Delivery System "Electric" type product pump

WB-CDS-1E (1-product, 1-bag holder)
WB-CDS-2E (2-product, 2-bag holder)



WB-CDS-1E, -2E Rev A / JUN 21, 2017

AUTOMATIC BAR CONTROLS, INC.
2060 CESSNA DR, SUITE 100
VACAVILLE, CA 95688

Wunder-Bar™

PHONE: (707) 448-5151
FAX : (707) 448-1521
WWW.WUNDERBAR.COM