



The Mustang Beverage Tower is a sleek, compact design with all the capabilities of a large beverage dispenser in a small footprint. Advanced Crew facing display incorporates optional second interface, enabling both Staff Serve Mode and Customer Serve Mode. The Mustang can dispense up to 8 post-mix beverages of your choice. It can be configured to dispense any combination of flavor shots, carbonated, and non-carbonated beverages. Customizable programs or brand updates and flavor changes are easy using a simple USB port. Options for installation directly into the countertop with or without a rear facing screen are available as well as a version that clamps onto the countertop edge with or without a rear facing screen.

#### PRODUCT OPTIONS AND ACCESSORIES

- Personalized Content / Promotions can be uploaded to Mustang versions with incorporated Rear Screen option via USB.

#### PRODUCT FEATURES

- Compact Design: for small countertop footprint (8" wide).
- Dispense Customization: up to 8 brands, including configurable flavor shots.
- Can be configured as an isolated bar or countertop beverage tower plumbed as a standard bar gun.
- Flavor changes and software updates available via USB Port.

AIA FILE NUMBER:

ITEM NUMBER:

### MODEL: WB-MU-04-02-6-2

#### WEIGHTS & DIMENSIONS

Width	8 in
Depth	13.5 in
Height	16.75 in
Weight	21 lb
Clearance Required: Top	2 in
Clearance Required: Front	2 in
Clearance Required: Back	2 in
Clearance Required: Left Side	2 in
Clearance Required: Right Side	2 in

#### WATER, PLUMBING, AND DRAINAGE SPECS

Water Line Required	Yes
Water Connection Source Type	Plumbed Water Line
Water Inlet Size	0.375 in
Water Inlet Pressure Minimum	20 PSI
Water Inlet Pressure Maximum	100 PSI
Drain Line Required	No
Drain Location	Front Mounted
Drain Outlet Size	0.75 in
Waste or Drain Remarks	Ensure that the drain hose assembly is within distance of a drain according to federal, state, and local codes and regulations.

#### SHIPPING DETAILS

Ship Width	10 in
Ship Depth	24 in
Ship Height	16 in
Ship Weight	23 lb
Ship Cubic Size	2.22 ft <sup>3</sup>
Number of Shipment Parcels	1
Ship Method	Small Parcel (FedEx, UPS, DHL)
Shipping Origin Zip Code	95688
Freight Class Number (NMFC)	250
Quick Ship Product	No
Ship Lead Time	40

#### PRODUCT CERTIFICATIONS



### ENERGY SPECS

Primary Energy Type	Electric	Number of Electrical Conductor Wires	3
Electrical Amps Per Conductor	8.5	Dedicated Circuit Required	No
Electrical Total Amperage	8.5 A	<b>Electrical Remarks</b>  For a part of class III construction supplied from a detachable power supply unit, the instructions state that the appliance is only to be used with the unit provided. Instructions for class III appliances state that it must only be supplied at SELV.	
Electrical Volts	12V		
Electrical Total Wattage	102 W		
Electrical Kilowatts	0.120 kW		
Electrical Hertz	60 Hz		
Electrical Phase	1-Phase		
Electrical Plug Type	NEMA 5-15		
Number of Electrical Plugs	1		
Electrical Connection Type	Cord and Plug		

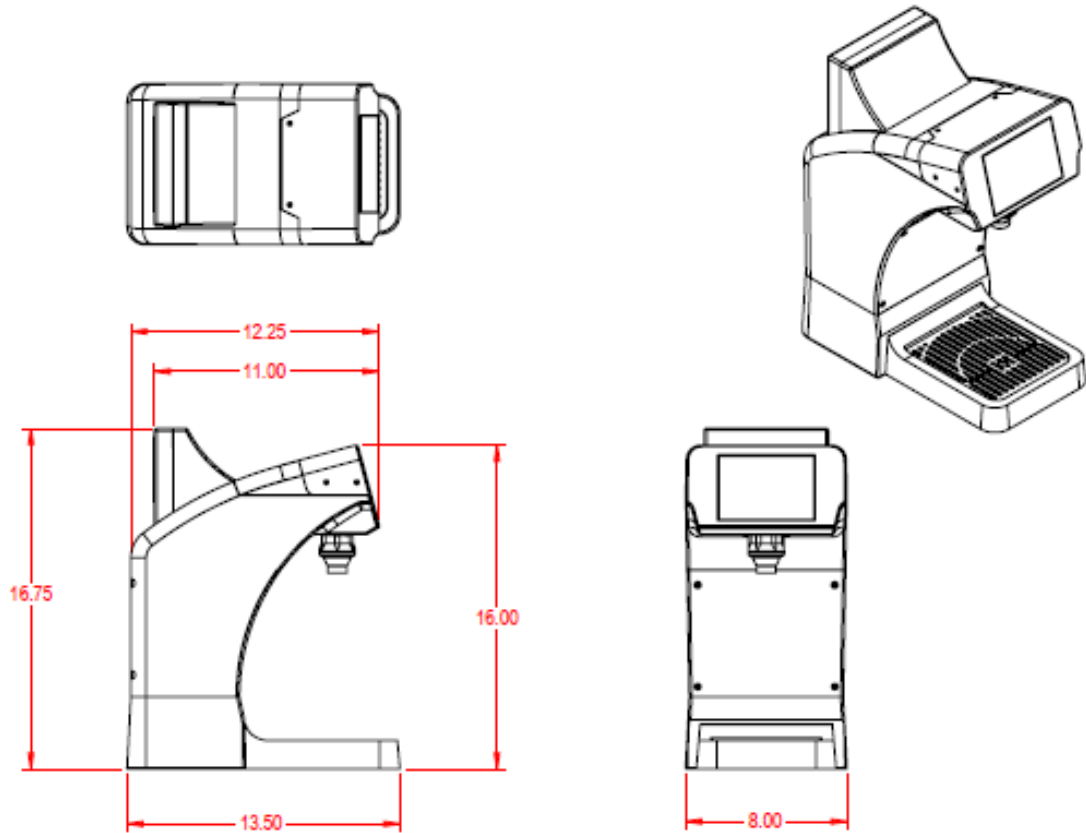
### ADDITIONAL SPECIFICATIONS

Control Type	Touchscreen
Number of Servable Beverages	10

### BIDDING SPECIFICATIONS

Bidding Specifications Not Available.

#### TECHNICAL DRAWING



COUNTER TOP FRONT & REAR DISPLAY