



Wunder-Bar™

Automatic Bar Controls Inc.

Beverage and Food Product Dispensing



Barguns and more...

Wunder-Bar™

Automatic Bar Controls Inc.

Since its inception in 1971, Wunder-Bar has set the benchmark for beverage dispense technology in the Bargun Industry. We proudly maintain a dominant position with over 90% global market share.

Other product lines include:

Mustang and Spire (carbonated beverage towers)

Variety Tea Towers

Bloomfield (coffee and tea equipment)

JoeTap (nitro infusion for beverages)

Starline (beverage bubblers)

Auto-Saucer (pizza sauce)

Condiment Dispense Towers

Mission Statement

A relentless pursuit of product innovation to develop quality products with superior and consistent operating performance, resulting in customer satisfaction that is unmatched in the industry.

Philosophy

Solving dispense problems in the food and beverage industry with quality stock offerings or custom dispense solutions focusing on product innovation, superior operating performance, and repeatable consistency.

Soda Dispense



Wunder-Bar™

Automatic Bar Controls Inc.

Primary sales of our Soda Dispense Equipment are through our established Distributor Network and/ or Directly through Coca-Cola and Pepsi.

Barguns



- Up to 12 flavors plus 2 ports included for carbonated and still water
- 2 manifold types:
 - Flow Regulated & Metered
- Sheath available from 3-6 feet
- Capable of dispensing both carbonated & non-carbonated beverages

In Development:
M5 Bargun incorporating Newton CFV technology and a 2.5oz/sec flow rate



Touch Towers



Mustang

- Custom Drink Builds
- 8 ports available for mix of carbonated and non-carbonated beverage and/ or flavor shot options
- 2 ports included for carbonated and still water
- 2oz/ sec flow rate
- USB port
- ADA compliant



Pepsi Spire

- *Pepsi Exclusive*
- 12 ports available for mix of carbonated and non-carbonated beverage options
- 2 ports included for carbonated & still water
- 2oz/ sec flow rate
- USB port
- ADA compliant

Tea Towers



- *Coca-Cola Exclusive*
- Dispenses up to 4 non-carbonated tea products
- Easy-to-use interface enables guests to customize tea flavor blends
- BIB dispensing

Mustang Beverage Tower

Wunder-Bar™

Automatic Bar Controls Inc.

Mustang Beverage Tower sales are currently running through our established Distributor Network either directly or via Sales Representative Referral.



More in Less Space: Mustang + Follett Ice



Components to Consider for a complete Mustang System

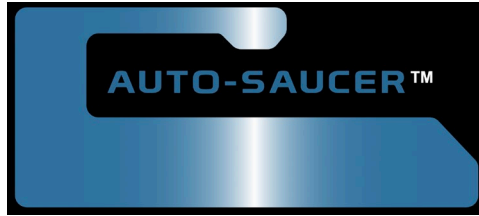
- BIB Rack
- Carbonator
- Co2 Regulator/ Pump
- Filtered Water Source
- In-Line Flow Regulator
- Drop-In Ice Chest w/ Cold Plate

- Touch-Screen User Interface
- Custom Drink Builds
- 8 ports available for mix of carbonated and non-carbonated BIB beverage and/ or flavor shot options
- 2 ports included for carbonated and still water
- 2oz/ sec flowrate
- USB port for quick updates/ customized graphics on rear screen or "sleep mode"
- ADA compliant
- Soda Dispense Equipment Components needed for complete system



Perfectly sauce your pizza...every time!

Wunder-Bar™
Automatic Bar Controls Inc.



- Ready to Mix (RTM) 2.5gal
- Ready to Use (RTU) 5.5gal
- Programmable: up to 5 dough types and 5 sizes between 6" – 18"
 - Cup Fill option available
- Accuracy: up to 1/10th ounce
- Speed: less than 10 seconds per pizza
- Minimal Training: save time and money
- 99% reliability rating and low maintenance
- Easy to Clean: built-in sanitation program
- Technician-Free installation



Current Models

Sales & Buying Process



- Confirm Customer's sauce and pans/screens meet guidelines for success
- Fill out programming sheet
- Send 2 gal of sauce to Engineering Lab
- 1 each of every pan/screen they use
- Unit is tested using Customers' specs
- Result images are emailed for Customer's approval of sauce pattern
- Custom part number created
- PO submitted with custom part number
- Build and ship
- Approx. 6week lead time post-approval

Brewers for Coffee and Tea Programs



- Industry Leader in Quality
- Drip / Reservoir Brewers
- Large Format Brewers
- Airpot, Thermal, & Lined Server Options
- Eco Coffee Brewers
- Hot Water Dispensers
- Tea Brewers
- Glass Coffee Decanters
 - Customizable Colored Branding
 - 15 Handle Colors Available
- Plastic / Stainless Steel Coffee Decanters
- Additional Accessories to support a coffee or tea program.
- Majority of collection Made in USA.
Certifications/ Listings vary by product line.



Popular Models



4A-1072D3F-120V*



4B-8543-D2-120V*



4A-8792AF-240V*



4B-8785AL-120V*



4A-1080TF-120V*



4B-4543-D2-120V*



4B-4774-A-120V*



4C-1222-2G-120V



4F-8740-35G120*



*All Dispensers, Decanters, Airports, Thermal and Lined Servers sold separately.

Glass Coffee Decanters

Wunder-Bar™

Automatic Bar Controls Inc.



- The special teardrop shaped glass bowl is engineered for strength using high tensile, thin-walled glass with a reinforced base for heat dispersal and safety.
- All Bloomfield Decanters feature an ergonomically designed handle for safety and comfort.
- Customize your Glass Decanter with your logo and/ or text: both sides of bowl available.
- 15 logo and/ or handle colors to choose from to make your decanter stand out.



Customizable Glass Decanters Personalize Your Pour

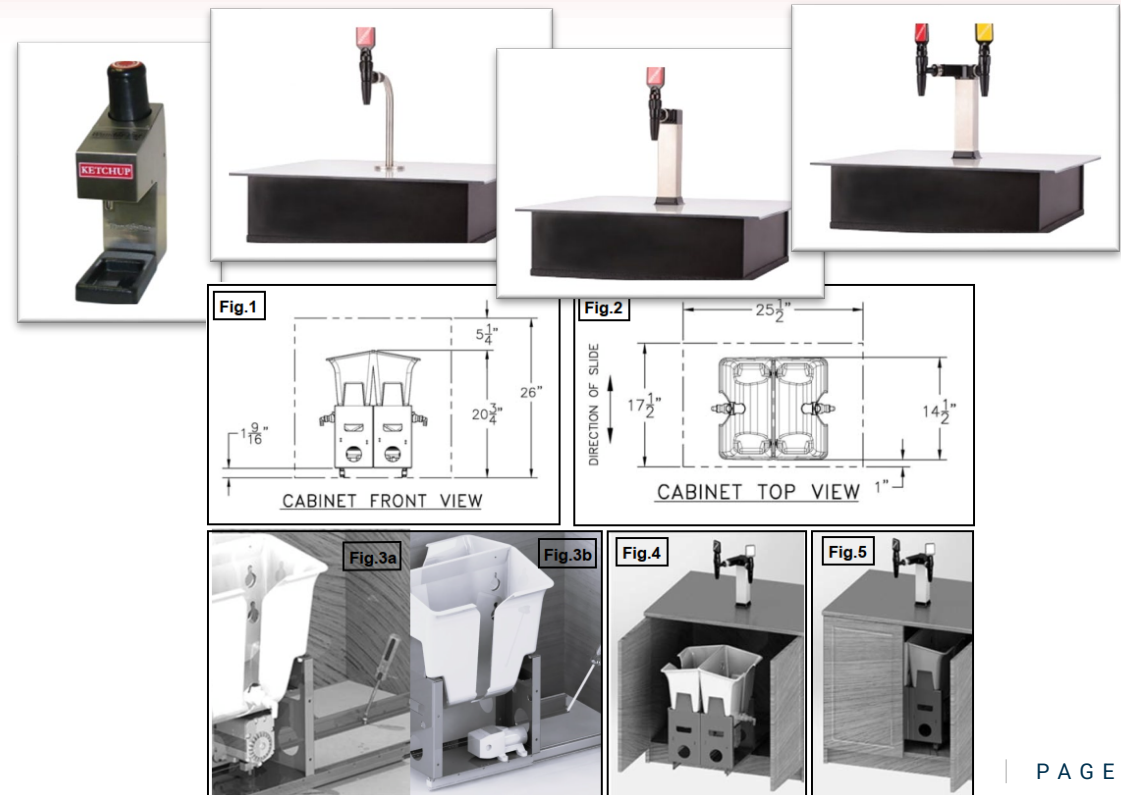


Condiment Dispensers



Condiment Dispensing Systems: Manual, Electrical, or Pressurized Gas Source

- Ensure product integrity, freshness, and sanitation supporting cost management through waste reduction
- User-friendly design tailored for both FOH and BOH
- Utilizes standard 1.5 or 3-gallon Condiment BIB volume packaging
- Compact footprint to streamline countertop space while enhancing aesthetics
- Clean-In-Place without dismantling (optional Sanitizing System available)



Condiment Dispensers



What are the Needs for Current Locations, Remodels, NSOs, and Future?

- Front of House
- Back of House
- Aesthetics
- Counterspace
- Less Waste
- Eco-Friendly

- Customers control self-serve product
- Line Prep, To Go Containers, and/ or Portion Control
- Easy-to-Clean countertop without clutter
- Small footprint for optimum countertop usage
- Reduction in number of packets being given away without being used
- The manufacturing process of plastic packets produce greenhouse gas and final product is non-biodegradable

***Reduce individual condiment packet waste:
3 gal vol pack = 1,160 .3oz packets***

Nitro Market – Buying and Interested



Infusing beverages with nitrogen gas has expanded from cold brew coffee into the full beverage category.

Customers are nitrogenating: Flavored Tea, Lemonade, Black Tea, Flavored Lemonade, Juice Drinks, Sweet Tea and more.

Include nitro brew to a cocktail menu or other flavor options to “smooth up” a mocktail menu!

Bonus: Pour the nitro beverage over ice cream and now you have an incredibly smooth variation of an affogato or ice cream float...

Target Markets for Nitro Beverage Infusion



Wunder-Bar - JoeTap Quad

- 4 product dispense tower - countertop mounted
- Dispense still and nitro: coffees, teas, lemonades with push button technology
- Up to 4 products in 2 formats = 8 beverage options
- Precise infusion controls for each faucet



Wunder-Bar – JoeTap NITCOM Lite

- 1 product tapped to dispense still and nitro beverage
- Fridge can hold 2 beverage tanks – 1 on-line, 1 backup
- Precise nitro infusion control
- Undercounter space saving design



U-Line – 15" & 24" wide units

- Beverage tanks - holds: 2.5 gal, 3 gal, or 5 gal tanks
- 2, 3, or 4 faucet dispense
- Nitro and still configurations available
- Zero clearance front breathing units

U-LINE
COMMERCIAL



Wunder-Bar™

Automatic Bar Controls Inc.

JoeTap®

Nitro beverage dispense units are available from Wunder-Bar and U-Line.

JoeTap is the industry leader for custom nitro dispense solutions.



STARLINE Non-Carbonated Beverage Bubblers

Standard Features

- Clear display of refreshing beverages with capacity markings to monitor product levels
- High-capacity, energy efficient stainless-steel cooling dome
- Minimal parts for simplicity and cleaning
- Long-life compressor: low maintenance, quiet operation, and economical to operate
- Magnetic impeller system alleviating excess component wear
- 2 dispensing faucet options (with 3rd in development)

Current Starline Models: S1 and S2

- Single & Double BPA Free 5gal bowl options
- Powder-coated, matte finish side panels, stainless-steel front panel, plastic grille, with drip tray and cup rest
- R134a Refrigerant
- ETL Certification (CE certification expected 2025)

In Development Models: SS2 and SS3

- Compact footprint with maximum efficiency
- Double & Triple BPA Free 4gal bowl options
- Stainless-steel side and front panels with plastic grille
- Removable drip tray and cup rest
- R290 or R600 Refrigerant (TBD)
- Easy-access rear filter for routine maintenance
- CE and ETL Certification

In Development: Slimline Autofill

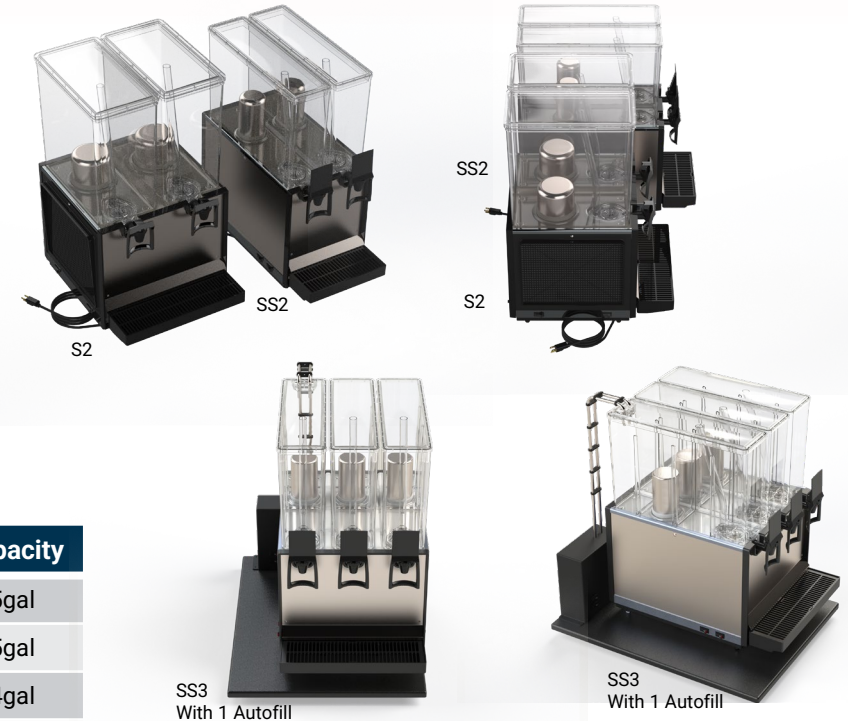
- Configurable 1 to 3 bowls for the S1, S2, SS2 and SS3
- Uses BIB or beverage product container
- Sensor driven
- Design protects from external elements
- Compact design: motor housed behind unit and beverage product housed below counter



Currently Available: S1 Single & S2 Double Bowl Models



In Development: SS2 Double & SS3 Triple Bowl Slimline Versions, Autofill Option • Initial Production Expected Q1 2025 •



Model	Width	Depth	Height	Capacity
S1	9 3/8"	20 1/8"	29"	5gal
S2	16 1/8"	20 1/8"	29"	5gal
SS2	11"	24"	27 1/4"	4gal
SS3	16 1/2"	21 5/8"	27 1/4"	4gal

Approximate Dimensions



Contact Info

Wunder-Bar Office	800.722.6738
	707.448.5151
General Product Info: Auto-Saucer - Bloomfield - Condiment Dispensing - JoeTap - Mustang - Starline	Sales@WunderBar.com
	Terry.Olson@WunderBar.com
	Alissa.Crow@WunderBar.com
General Bargun & Soda Equipment Info	Jessica.Zadlo@WunderBar.com
General Product Sales	Sales Representatives - (wunderbar.com)
Bargun & Soda Equipment Sales	Distributors - (wunderbar.com)
Order Placement / Freight Quotes	Orders@Wunder-Bar.com
Order Status	CustomerService@Wunder-Bar.com
Technical Support	TechSupport@WunderBar.com
Parts	www.partstown.com
Support Documents	Documentation - (wunderbar.com)
Returns / RMAs	Brad.Butler@WunderBar.com
New Accounts - Accounts Rec	AR@WunderBar.com
Accounts Payable	AP@WunderBar.com