

Mustang Beverage Dispense Tower

The Mustang combines a sleek, compact design with the powerful capabilities of a large beverage dispenser, all within a minimal footprint. Whether you prefer Self-Serve or Crew-Serve modes, this versatile machine has you covered.

COMPACT

Small Footprint:
8in (20.3cm) wide
12.25in (31.1cm) deep
3in -16in (33.02cm – 40.64cm) tall

CUSTOMIZABLE

Dispense up to 8 flavors
Brands or Flavor Shots
Carbonated or non-carbonated
One-touch metered dispense
Top-off function

ADDITIONAL FEATURES

Bar-mount or clamp mount
Plumbed as a standard bar gun
Standard flow rate 2oz/second
Optional recirculation capability
ADA compliant

UPGRADES AND SUPPORT

Upgrades for new logos, brand updates, flavor changes, and programming are easy using Mustang's USB port.



Wunder-BarTM

Automatic Bar Controls Inc.

Automatic Bar Controls Inc. | 2060 Cessna Drive, Suite 100 | Vacaville, CA 95688
Office: 1.800.722.6783 Fax: 707.448.1521 www.WunderBar.com

Aug 2024

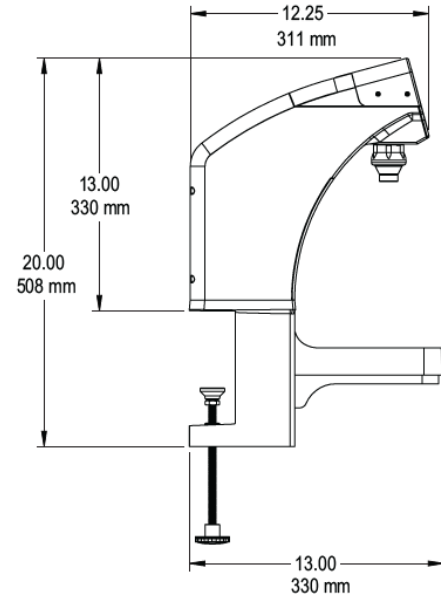
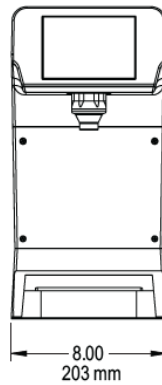
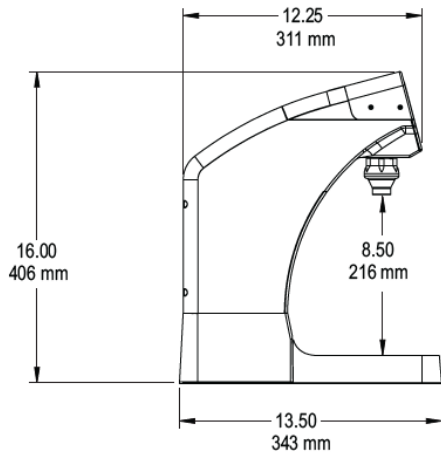
Countertop



With Rear Screen Option



Bar Mount

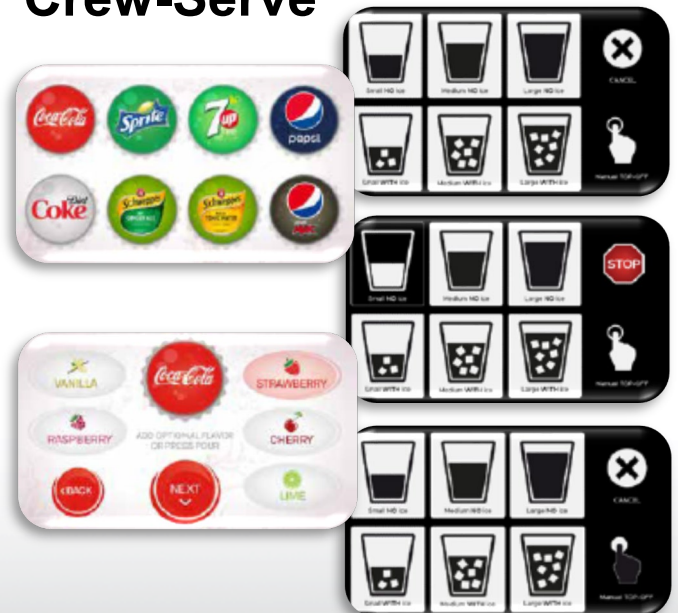


WB-MU-(A)-(B)-(1)-(2)

Self-Serve



Crew-Serve



Wunder-Bar™

Automatic Bar Controls Inc.

Automatic Bar Controls Inc. | 2060 Cessna Drive, Suite 100 | Vacaville, CA 95688
Office: 1.800.722.6783 Fax: 707.448.1521 www.WunderBar.com